

GRW 280 20/25/30



Pneumatic rubber tired roller

- ▶ Large operator's platform
- ▶ Sliding and rotating operator's seat
- ▶ Transport height less than 10'
- ▶ Two point steering, high stability
- ▶ Equal weight distribution front to back, side to side
- ▶ Simplified ballasting options
- ▶ Outstanding all around visibility, view of tire edges
- ▶ Self-explanatory instrument panel
- ▶ Easy access for servicing and maintenance



TECHNICAL DATA

GRW 280-20

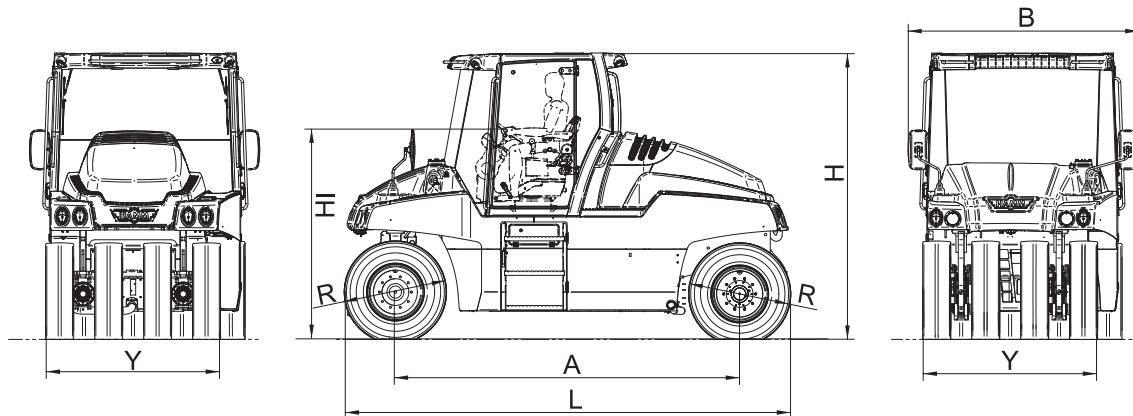
GRW 280-25

GRW 280-30

Weights				
Operating weight with ROPS	lbs (kg)	40,382 (18317)	51,013 (23139)	60,789 (27573)
Axle load, front/rear	lbs (kg)	20,103/20,279 (9119/9198)	25,418/25,595 (11529/11610)	30,306/30,483 (13746/13827)
Load per tire, front/rear	lbs (kg)	5,026/5,070 (2280/2299)	6,355/6,399 (2882/2903)	7,576/7,621 (3436/3457)
Machine Dimensions				
Working width	in (mm)	82 (2084)	82 (2084)	82 (2084)
Turning radius, inside	in (mm)	267 (6798)	267 (6798)	267 (6798)
Turning radius, outside	in (mm)	335 (8504)	335 (8504)	335 (8504)
Tires, front and rear		11.00 R 20 12 PR	11.00 R 20 12 PR	11.00 R 20 12 PR
Tire overlap on each side	in (mm)	2.0 (50)	2.0 (50)	2.0 (50)
Diesel engine				
Manufacturer		DEUTZ	DEUTZ	DEUTZ
Model		TCD 2012 L04 2V	TCD 2012 L04 2V	TCD 2012 L04 2V
Number of cylinders		4	4	4
Power rating ISO 14396, kW/PS/rpm		100,0/136,0/2300	100,0/136,0/2300	100,0/136,0/2300
Power rating SAE J1349, HP/kW/rpm		134.0/100,0/2300	134.0/100,0/2300	134.0/100,0/2300
Fuel tank, capacity	Gal (Ltr)	62 (235)	62 (235)	62 (235)
Drive				
Hydrostatic drive, rear		Hydraulic motor	Hydraulic motor	Hydraulic motor
Speed, working gear	mph (km/h)	0-5.9 (0-9,5)	0-5.9 (0-9,5)	0-5.9 (0-9,5)
Speed, transport gear	mph (km/h)	0-11.8 (0-19,0)	0-11.8 (0-19,0)	0-11.8 (0-19,0)
Gradeability, at operating weight		25%	25%	25%
Steering				
Steering, type		Two-point steering	Two-point steering	Two-point steering
Steering, actuation		hydrostatic, steering wheel	hydrostatic, steering wheel	hydrostatic, steering wheel
Steering lock +/-	Grad	30°	30°	30°
Oscillation angle +/-	Grad	2°	2°	2°
Brake system				
Service brake, mode of action		Hydrostatic	Hydrostatic	Hydrostatic
Service brake, actuation		Drive lever	Drive lever	Drive lever
Parking brake, mode of action		Spring loaded disc	Spring loaded disc	Spring loaded disc
Parking brake, actuation		Electric and/or automatic	Electric and/or automatic	Electric and/or automatic
Emergency brake, mode of action		Hydr./mech.	Hydr./mech.	Hydr./mech.
Emergency brake, actuation		Foot brake pedal/emergency stop button	Foot brake pedal/emergency stop button	Foot brake pedal/emergency stop button
Sprinkler system				
Water sprinkler, type		Pressure	Pressure	Pressure
Actuation, sprinkling		Interval/manual	Interval/manual	Interval/manual
Water tank, capacity	Gal (Ltr)	51.5 (195)	51.5 (195)	51.5 (195)
Standard equipment		Operator's platform accessible from either side, swiveling and rotating operator's seat with left and right side drive levers, horn, hour meter, engine coolant temperature warning indicator, hydraulic oil temperature warning indicator, adjustable water sprinkler controls, front and rear driving lights, turn signals and flashers, back-up alarm, mirrors, ROPS/FOPS, instrument panel cover. Front axle disc and rear axle brakes.		
Optional equipment		Air on the run. Edge pressing roll and cutting disc attachment. Winter (thermal) aprons. ROPS cab with lockable doors, sun visor, air conditioner and heater.		

Further data on request / subject to change

GRW 280 20 / 25 / 30 - Pneumatic rubber tired roller



		GRW 280-20 / 25 / 30
Total length	L	184" (4670)
Total width	B	84.4" (2144)
Total height	H	118" (2994)
Wheel base	A	142" (3600)
Width of tires	Y	72" (1830)
Diameter of tires	R	42" (1070)
Loading height, min.	HI	86" (2189)

WIRTGEN AMERICA - HAMM COMPACTION DIVISION

6030 Dana Way • Antioch, TN 37013 • 615-501-0600 • 615-501-0691 Fax

www.wirtgenamerica.com